

LF24WZP62S

French Door Counter-Depth Refrigerator

3-Door French Door
 Zero Clearance™ *Hinge System
 Counter-Depth MAX, 24 cu. ft.
 Slim SpacePlus® Ice System
 Flat Panel Door Design with Pocket Handles
 Thin Door Design
 Door Cooling+
 ENERGY STAR® Certified

AVAILABLE COLORS

 Stainless Steel



CAPACITY	
Total Capacity (cu.ft)	23.7
Freezer Capacity (cu.ft)	7.9
Refrigerator Capacity (cu.ft)	15.8
CONTROL AND DISPLAY	
Internal LED Display	Yes [LED Display]
Door alarm	YES
Express Freeze	YES
MATERIAL AND FINISH	
Finish (Door)	Stainless Steel
Handle Type	Pocket
Contour Door	FLAT
Fingerprint & Smudge Resistant Exterior	YES
Flat Metal Duct (Metal Fresh)	R Metal
ICE & WATER SYSTEM	
Water Only Dispenser	No
Ice & Water Dispenser	Cube & Crushed Ice
Water Filtration System	Internal (1 stage)
Water Filter Model Name	LT1000P
Automatic Ice Maker	Yes (Slim Spaceplus)
Dual Ice Maker	No
Dispenser Light	No
Daily Ice Production (lb.)	2.5 / 3.0 (IcePlus)
Ice Storage Capacity (lb.)	4.0
Ice Maker_Manual	No
FEATURES	
Door Cooling+	Yes
Door-in-Door	No
InstaView	No
Auto Closing Door Hinge	No
Sabbath Mode	Yes
Zero Clearance	Yes
PERFORMANCE	
Energy Consumption (kWh/year)	699
Compressor Type	Smart Inverter Compressor (BLDC)
SMART TECHNOLOGY	
ThinQ (Wi-Fi)	Yes
Smart Learner Ver.	No
Smart Diagnosis	Yes
Proactive Customer Care	Yes

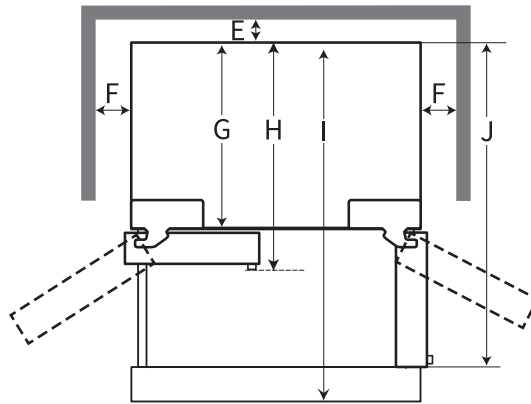
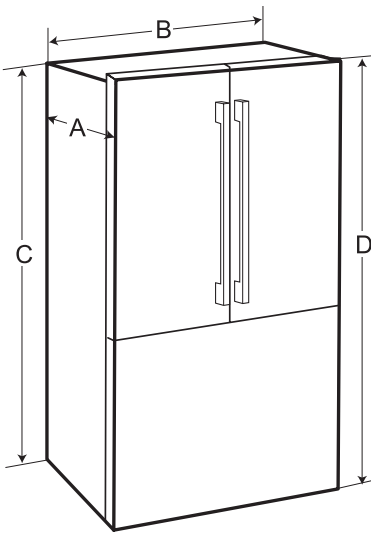
REFRIGERATOR COMPARTMENT	
Refrigerator Light	Top LED
Shelf_Tempered Glass	4 Split
Shelf_Cantilevered	Yes (Hybrid)
Door Basket_Transparent	5
Door Basket_Moving Basket	No
Vegetable Box	Yes (2)
Wide Pantry	Yes
Shelf_Folding	No
FREEZER COMPARTMENT	
Door Type	Pull Drawer
Freezer Light	Top LED
Drawer_Freezer	2 - tier organization
Drawer Divider	Yes
Durabase Solid Drawer Base	No
MULTI ROOM COMPARTMENT	
Convertible Drawer	No
Full-Convert Drawer	No
DIMENSIONS/CLEARANCES/WEIGHTS	
Product Weight (lb.)	258
Gross Weight (lb.)	277
Height to Top of Hinge or Door Cap Deco (inch)	70 1/4"
Height to Top of Case (inch)	68 7/8"
Depth without door (inch)	24 3/4"
Depth without handle (inch)	27 1/2"
Depth with handle (inch)	
Total Depth with Door 90 Open (inch)	43 7/8"
Width door open 90 with Handle (inch)	40"
Width door open 90 without Handle (inch)	35 1/8"
Product Dimension (WxHxD, inch)	35 3/4" x 70 1/4" x 27 1/2"
Packing Dimension (WxHxD, inch)	38" x 73" x 30"
Installation Clearance	Back 2"
LIMITED WARRANTY	
Parts & Labor	1 Year
Sealed System (Parts & Labor)	7 Years
Linear Inverter Compressor (Parts Only)	6-10 Years
UPC	
LF24WZP62S(Stainless Steel)	195174151419

LF24WZP62S

INSTALLATION NOTES

Check the dimensions of the appliance and the installation path to ensure there is sufficient room to move the refrigerator through doors or narrow openings.

- If an opening is too narrow to fit the refrigerator through, remove the refrigerator doors. See Removing/Assembling the Doors and Drawers in this manual.
- The installation location chosen for the refrigerator should allow space behind the unit for connections and airflow and space in front to open the doors and drawers.
- Too small of a distance from adjacent items may result in lowered freezing capability and increased electricity consumption charges. Allow at least 24 inches (610 mm) in front of the refrigerator to open the doors, and at least 2 inches (50.8 mm) between the back of the refrigerator and the wall.
- The space between the product and the side wall must be at least 5/32 in. (4 mm) on both sides. When installing in a narrow space, attach the enclosed spacers on each side of the refrigerator as shown to ensure a minimum clearance of 5/32 in. (4 mm).



DIMENSIONS / CLEARANCES

A	Depth without Handle	27 1/2" (699 mm)
B	Width	35 3/4" (908 mm)
C	Height to Top of Case	68 7/8" (1750 mm)
D	Height to Top of Hinge	70 1/4" (1785 mm)
E	Back Clearance	2" (50 mm)
F	Side Clearance	5/32" (4 mm)
G	Depth without Door	24 3/4" (628 mm)
H	Depth with Handle	N/A
I	Depth (Total with Freezer Drawer Open)	46" (1168 mm)
J	Depth (Total with Door Open 90°)	43 7/8" (1114 mm)